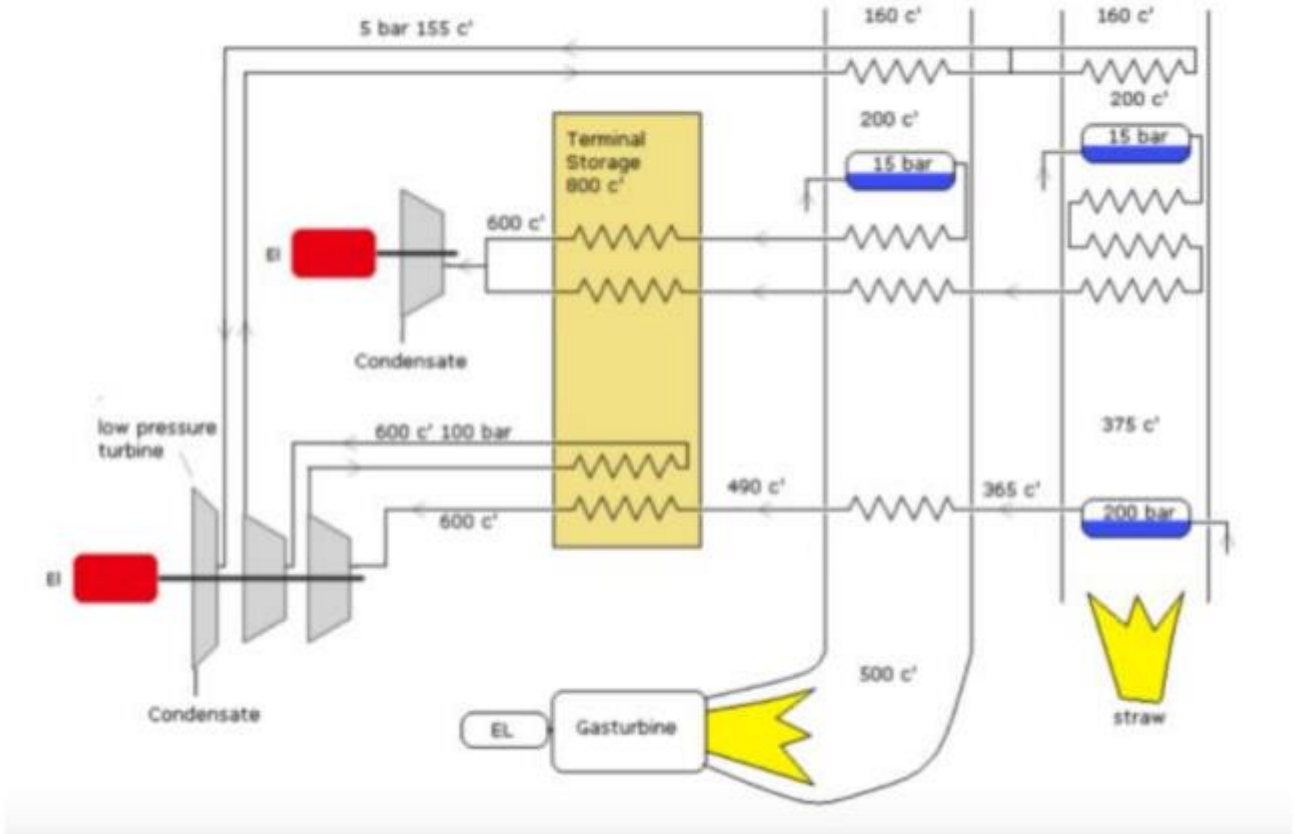


Gasturbine and biomass power plant with terminal storage for surplus electricity see.



The thermal storage is heated to very high temperatures with surplus electricity.

When power is needed the powerplant starts and the hot exhaust from the gas turbine and the flame from the straw boils and overheats steam. Therefore, when energy in the thermal storage is very hot, the hot energy can super heat the vapor maximum and energy in the thermal storage is therefore recovered 100% (basic Carnot = superheat is equal to shaft power)